

PLATFORM SCALES

DATA
OUTPUT

CAN BE
CUSTOMIZED

37

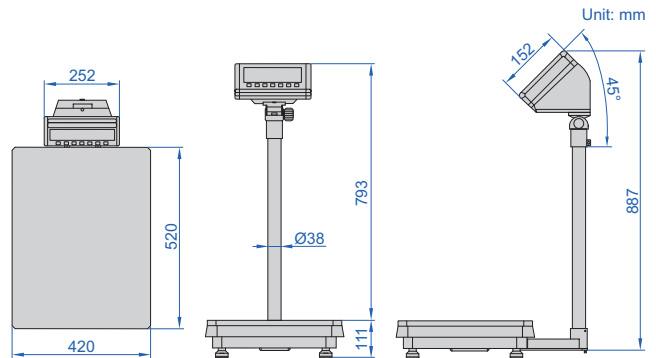


8501-AL150



printer (optional)

- LCD large screen display with LED backlight
- Weighing, overweight alarm, counting, keyboard lock, accumulating, auto zero and animal scale
- Unit: kg, g, lb, oz



SPECIFICATION

| Code | 8501-AL60 | 8501-AL150 | 8501-AL300 |
|-----------------------|--|------------|------------|
| Maximum weighing | 60kg | 150kg | 300kg |
| Minimum weighing | 100g | 200g | 400g |
| Resolution (d) | 5g | 10g | 20g |
| Accuracy | ±10g | ±20g | ±30g |
| Operation temperature | -10~40°C | | |
| Material | platform: stainless steel, base: die-cast aluminum | | |
| Dimension of platform | 420×520mm | | |
| Power supply | rechargeable lead acid battery (6V/4Ah) | | |
| Output | RS232 | | |
| Weight | 18.3kg | | |

OPTIONAL ACCESSORY

| | |
|---|-------------------|
| Printer | 8001-PRINTER |
| Data output cable (keyboard format) | 7302-8001 page 22 |
| Wireless transmitter (receiver is needed) | 7315-8001 page 8 |